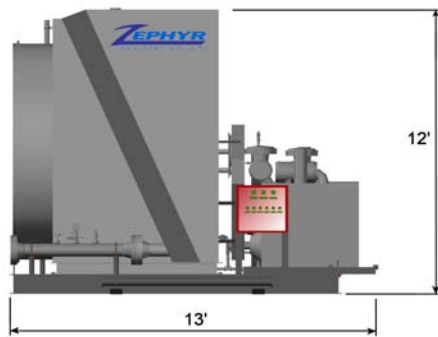
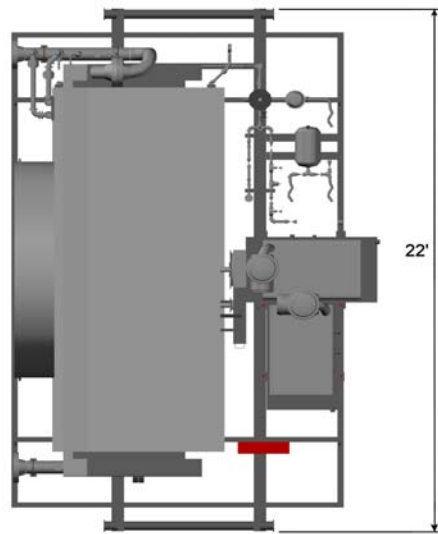




PROPOSAL AGREEMENT / WORK ORDER
"ZCool Max-25 Line Sheet"



Gas Inlet	6" 900# RTJ	Foundation Requirement	Flat & Level Base
Gas Outlet	6" 900# RTJ	No. of Trucks Required	1 (Permit Load)
Weight	26,000	Driver	VRG330
Dimensions	13' x 22' x 12'	Fuel	Natural Gas

*Note: All items above are estimates